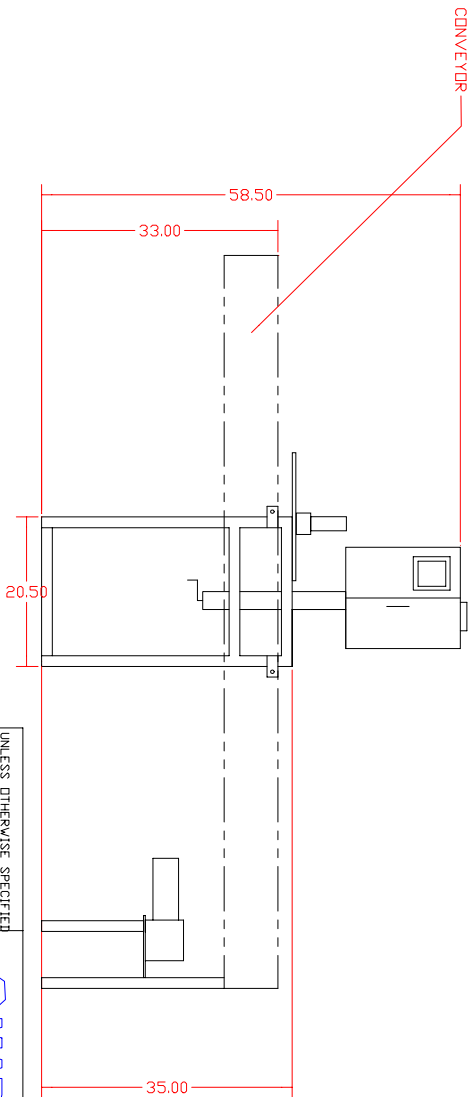
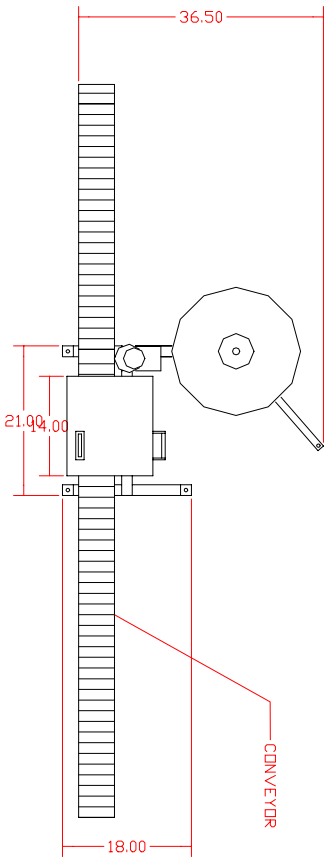


REVISIONS			
REV	DESCRIPTION	DATE	APPROVED
A	INITIAL RELEASE		



UNLESS OTHERWISE SPECIFIED
DIMENSIONS ARE IN INCHES
TOLERANCES ON DIMENSIONS

MARBURG IND.

TEL: 760-727-3762
FAX: 760-727-5502
VISTA, CA. 92084

XX = ±.01	APPROVALS	DATE
XXX = ±.005	DRAWN GALARGEN	11/12/02
TOL. ON ANGLES = ±1/2°	CHECKED ENGR K.STRUB	

M5 FLOORPLAN		SIZE	PART NO.	REV.
		A	FLOORPLAN	A

MATERIAL	FINISH	SCALE	END	SHEET	1	OF	1
----------	--------	-------	-----	-------	---	----	---

1. DE-BURR AND BREAK ALL SHARP EDGES .015 MIN.
NOTES: UNLESS OTHERWISE SPECIFIED